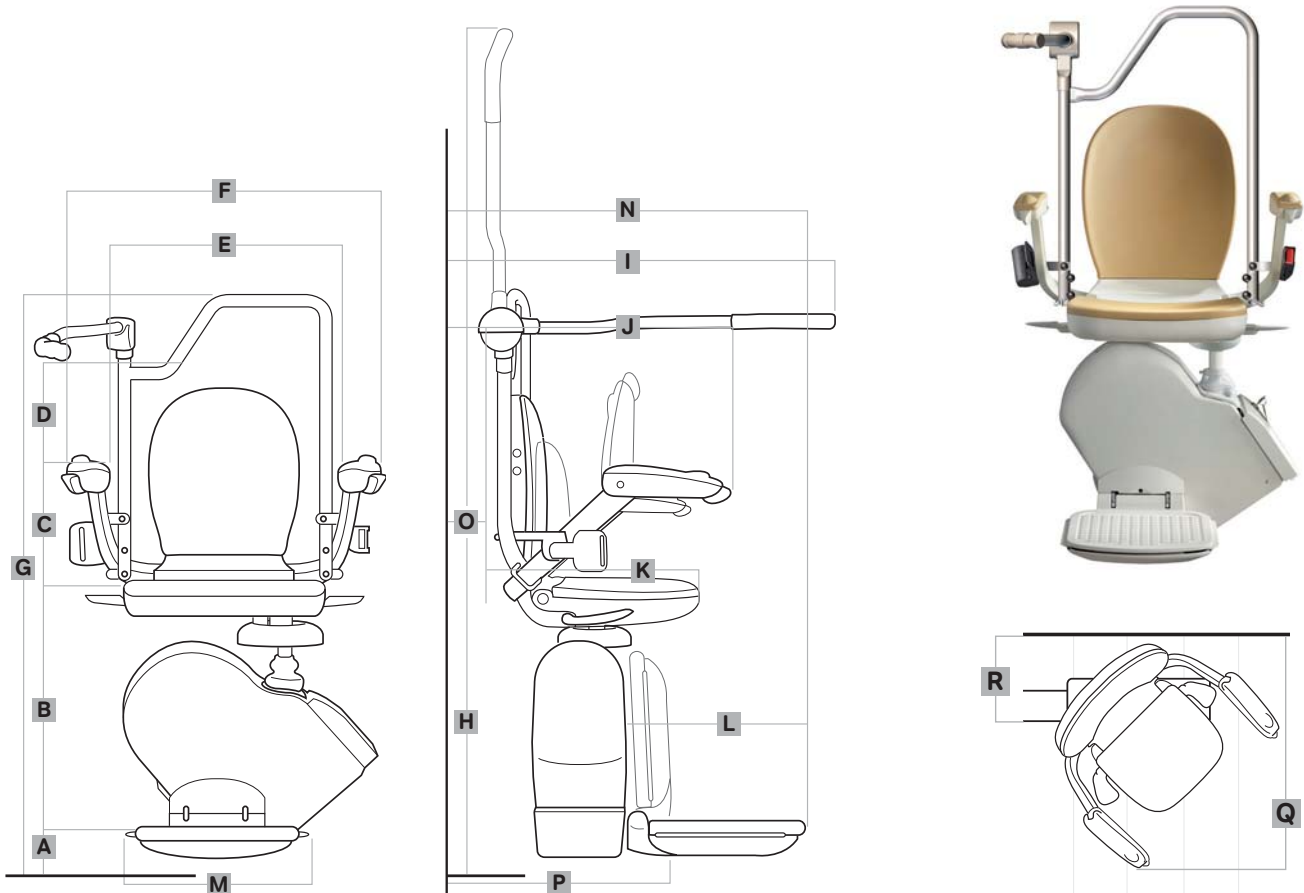


Acorn 130 Sit / Stand



Specifications

Dimensions

	mm	inch
A Floor to top of footrest	95	3¾
B Top of footrest to top of seat	445	17½
C Top of seat to top of arms	250	9¾
D Top of arms to top of seat back	190	7½
E Width between armrests	445 (495)	17½ (19½)
F Overall width	605	23¾
G Overall height to hand bar	1220	48
H Overall height with grab rail up	1725	68
I Overall depth with grab rail down (from wall)	620	24½
J Length of arms from seat back	470	18½
K Length of seat base from seat back	435	17
L Length of footrest	325	12¾
M Width of footrest	310	12¼
N Front of footrest to stringer	570	22½
O Back of seat to stringer	13	½
P Folded width	210	8¼
Q Minimum width required to swivel at top	670	26¼
R Distance from front of rail to stringer	215 (240)	8½ (9½)

Power supply input range 120 - 240v AC

Carriage power 24v DC batteries

Motor Power 0.25KW

Maximum Capacity 127kgs

Motor Output Speed No greater than 0.15 m/s

Method of Drive Rack and Pinion

Measurements are only a guide and subject to site and client survey.